

FUM EZ ARMS

Stainless Steel Self Supporting Arms

*Laboratories
Clean Rooms
Bio Labs
Medical
Food Processing
Chemicals*



- ***Exceptional Maneuverability***
- ***User Friendly***
- ***All Exterior Supports***

*Hanging/Portable
Diameter: 3", 4", 6", 8"
Lengths: 3', 5', 7', 10', 14'*

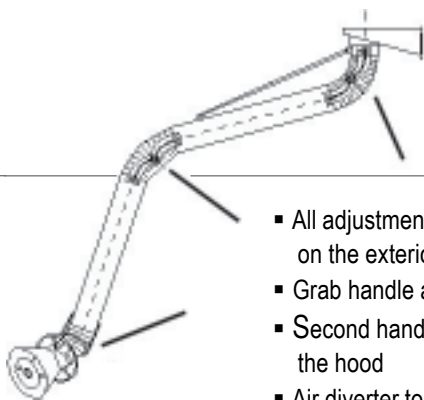


OsKar FumEz Arm Family

OSKAR self-supporting arms provide the most economical and effective methods for the capture of fumes. Contaminants are removed at their source. The use of self-supporting joints, flexible hoses and smooth bore tubing allow for easy placement of the arm's hood near the source of problem. Fume arm tubes are fabricated of steel with cast aluminum joints which include friction disc and are fully adjustable to the workers desired tension. The arms include a handle which completely encircles the hood in order to facilitate easy repositioning from all sides. Hood diameters vary from 160mm/6" on the 75mm/3" arms, to 350mm/14" on the 200mm/8" arms. **All hoods are equipped for installation of an optional light kit.**

User Friendly features include:

- Adjustments and supports on exterior
- "Grab" handle all around the hood
- Second handle for rotation on the tube
- Air diverter in hood to increase capture velocity
- Heavy Duty 360 degree swivel with safety stop
- Smooth tube construction for lowest pressure drop
- Totally encapsulated lift assist spring
- Heavy Duty cast joints
- Built-in shut off damper in every arm



- All adjustments and supports are on the exterior
- Grab handle all around the hood
- Second handle for rotation on the hood
- Air diverter to increase capture velocity
- Heavy duty cast joints



Designed for pharmaceutical, food or chemical applications

North American Distributor of Oskar Air Products:

Industrial Air Quality, Inc
102 AG Drive
Youngsville, NC 27596
ph: 919 562-7181 fx: 919 562-7182

Typical Applications:

- All welding processes
- grinding dusts and most air borne dusts
- polishing, painting, printing
- soldering fumes
- chemical applications such as laboratories (stainless models)
- food and pharmaceutical (stainless models)



Model	Arm Reach	Size diameter x length	Hood diameter
0710*	3 ft	3 in x 3 ft	4 in
0715*	5 ft	3 in x 5 ft	4 in
1015*	5 ft	4 in x 5 ft	6 in
1020*	7 ft	4 in x 7 ft	6 in
1025*	8.5 ft	4 in x 8.5 ft	6 in
1220*	7 ft	5 in x 7 ft	6 in
1220*	10 ft	5 in x 10 ft	6 in
1620*	7 ft	6 in x 7 ft	12 in
1630*	10 ft	6 in x 10 ft	12 in
1640*	14 ft	6 in x 14 ft	12 in
2020*	7 ft	8 in x 7 ft	14 in
2030*	10 ft	8 in x 10 ft	14 in
2040*	14 ft	8 in x 14 ft	14 in

* Add suffix P to above model number to specify standing mounted
Add prefix SS to above model numbers to specify stainless steel

Oskar Fume Arms available add-ons :

- Customized sizes
- Light kits
- Larger hoods
- Brackets for wall or ceiling mounts

Reduce maintenance costs by eliminating air impurities at the source

Authorized Dealer or Distributor: